



BT-TRUSS STAND 200

Référence: B03492



This Truss totem stand can be used to mount all kinds of moving lights and other light equipment.

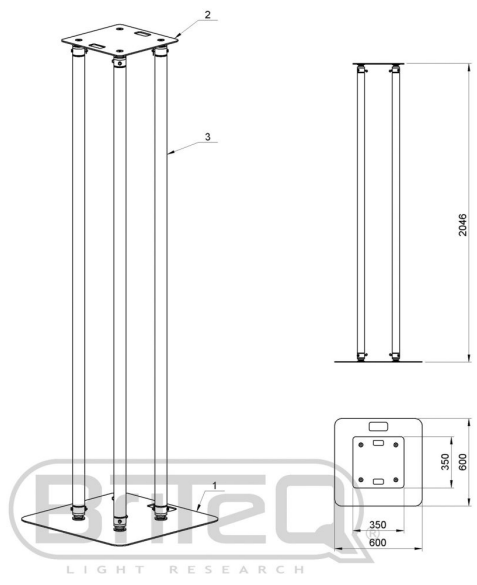
- This Truss stand can be used to mount all kinds of moving lights and other light equipment.
- The package consists of:
 - 1 ALU Base plate 600x600mm (4mm thick)
 - 1 ALU Top plate 350x350mm (4mm thick)
 - 4 ALU Tubes D=50mm, length 2m (2mm thick)
 - 1 Stretch cover truss sleeve (complies to ISO 6941 + ISO 15025)
 - Incl. all mounting accessories
- Thanks to the translucent truss sleeve the stand can be read up from the inside.
- Both Top and base plates have handle holes for easy transport.
- Stretch cover truss sleeve complies to:
 - ISO 6941: 2005 (Textile fabrics -- Burning behaviour -- Measurement of flame spread properties of vertically oriented specimens)
 - ISO 15025: 2000 (Protective clothing -- Protection against heat and flame -- Method of test for limited flame spread)

Caractéristiques

Brand	Briteq
Finish colour	Silver

Galerie photos





www.hitmusic.eu/en/