



## BTI-BLINDER1 FX

LED blinder 70 W warm white + amber with amber drift effect, AURA RGB 12 W, IP65. CCT 1650K-2700K, powerCON TRUE1 and XLR waterproof connectors

Référence: B05193

**299,00 € inc. VAT**



- **70 W warm-white + amber LED blinder with amber drift effect**, perfectly imitating a halogen blinder.
- **AURA RGB 12 W effects** with pixel control and 25 pre-programmed two-layer effects.
- Reinforced die-cast aluminium housing, IP65 rating.
- Versatile assembly with options :
  - **SPLICE fittings:** assemble multiple shields in rows, circles, squares, etc.
  - **CLAMP fittings:** direct mounting on structure.
  - Optional omega bracket for suspension mounting.
- Pre-programmed amber drift effect and separate control for white and amber.
- **Adjustable CCT:** 1650 K to 2700 K.
- 7 DMX modes (1 to 58 channels), 8- and 16-bit.
- DMX control channel for red shift, speed, dimming, pixel order, etc.
- RDM function for configuration (mode, DMX address, temperature, etc.).
- OLED display with backlit touch buttons for easy configuration, even in the dark.
- Stand-alone mode with simple linking :
  - TRUE1 powerCON connectors (input/output).
  - Waterproof 5-pin XLR (input/output).
- Optional kit for XLR 5-pin to 3-pin conversion (BT-XLR5TO3 KIT).
- Integrated power supply 100V~240 V 50/60 Hz.
- SPLICE and CLAMP fittings available as options.

## Caractéristiques

|                             |                             |
|-----------------------------|-----------------------------|
| <b>Brand</b>                | Briteq                      |
| <b>Controllable colours</b> | Amber, CLA, RGB, Warm white |
| <b>Protocole</b>            | DMX, RDM                    |
| <b>Protection class</b>     | IP65                        |
| <b>CRI</b>                  | 70                          |
| <b>Type de lampe</b>        | LED                         |
| <b>Family</b>               | BTI                         |

**Galerie photos**







OMEGA BRACKET  
OPTIONAL



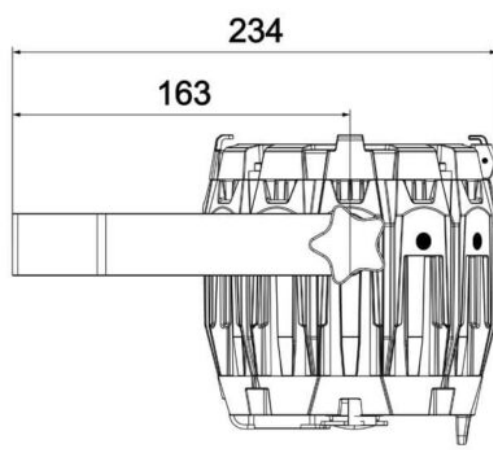
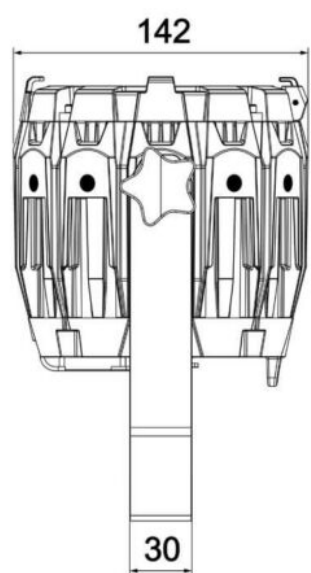
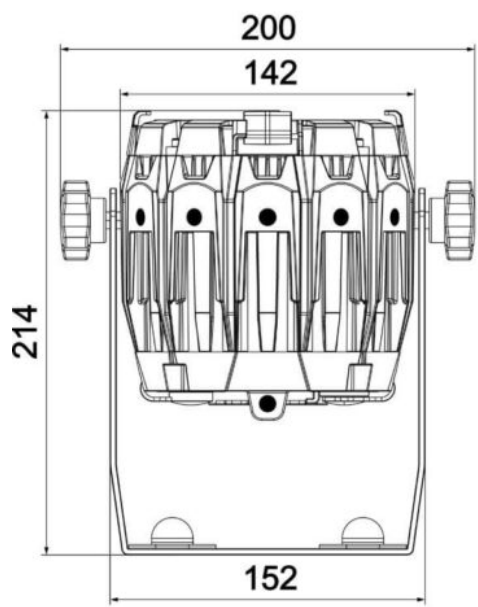


**BTI-BLINDER1  
CLAMP CONNECTOR**



**BTI-BLINDER1  
SPLICE CONNECTOR**







**BTI-BLINDER1 FX  
RIGGING EXAMPLES**

