



CHF860

Référence: H9909

169,00 € inc. VAT



- 8" 60 W 8 Ohms ceiling light - High Fidelity Sound - True 2-way speaker with resonance box - Simple and elegant design - Easy to install

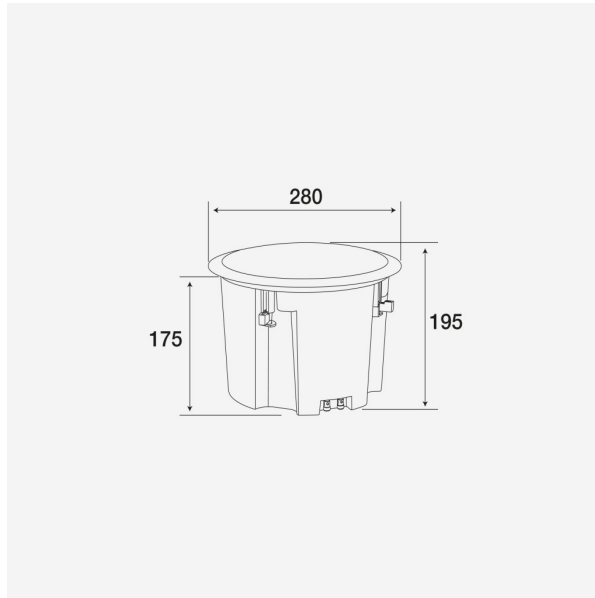
- 2-way speaker
- RMS power : 60 W
- Max power : 250 W
- Impedance : 8 Ohms
- Tweeter : 25 mm (1")
- Boomer : 210 mm (8")
- Frequency response: 40 Hz - 20 kHz
- Sensitivity: > 90 dB, +/-3dB
- Max SPL (@1m) : 111 dB
- Hanging : 4 legs to be screwed
- External dimensions (diameter and depth) : Ø280 x 195 mm
- Drilling diameter: 247 mm
- Net weight: 2,48 kg

Caractéristiques

Brand	Audiophony PA
Finish colour	White
Impedance	8 Ω
Power	60 W, 250 W
Protection class	IP20
Family	CHF
Model size	8"

Galerie photos





www.hitmusic.eu/en/