



CHP610

Référence: H9756

59,00 € inc. VAT



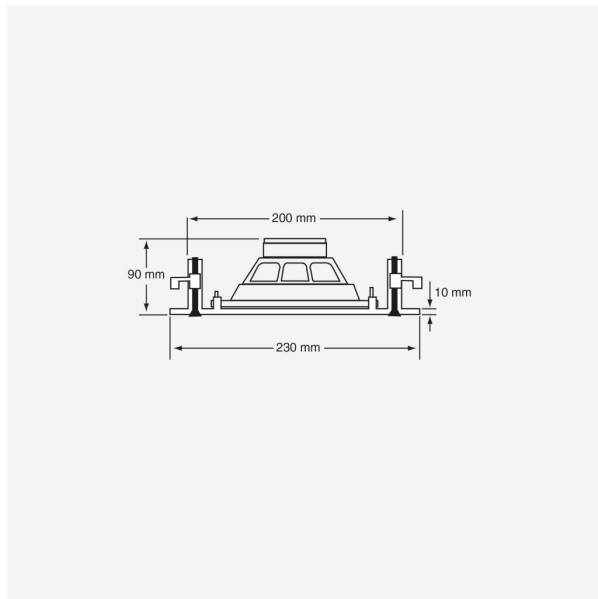
6" 2-way ceiling light 100 V ABS 2,5/5/10 W - 2-way system - Clear sound - Simple and elegant design - Easy to install

- 2-way speaker
- RMS output power : 10 W
- Maximum output power: 18 W
- Power output: 10 W, 5 W or 2.5 W
- 100 V
- Tweeter: 25 mm (1")
- Boomer: 165 mm (6.5")
- Frequency response: 56 Hz 20 kHz
- Sensitivity >93 dB
- Max SPL (@1m) : 103 dB
- External dimensions (diameter and depth): 230 x 90 mm
- Drill hole diameter: 200 mm
- Net weight: 1,4 kg

Caractéristiques

Brand	Audiophony PA
Finish colour	White
Voltage	100 V
Power	2,5 W, 5 W, 10 W
SPL max (@1m)	103 dB
Family	CHP
Protection class	IP20
Model size	6,5

Galerie photos



www.hitmusic.eu/en/