



CHP660

Référence: H9910

129,00 € inc. VAT



6.5" 2-way 60 W 8 Ohms and 70-100 V ceiling light - Precise and warm sound - True 2-way speaker with resonance box - Simple and elegant design - Easy to install

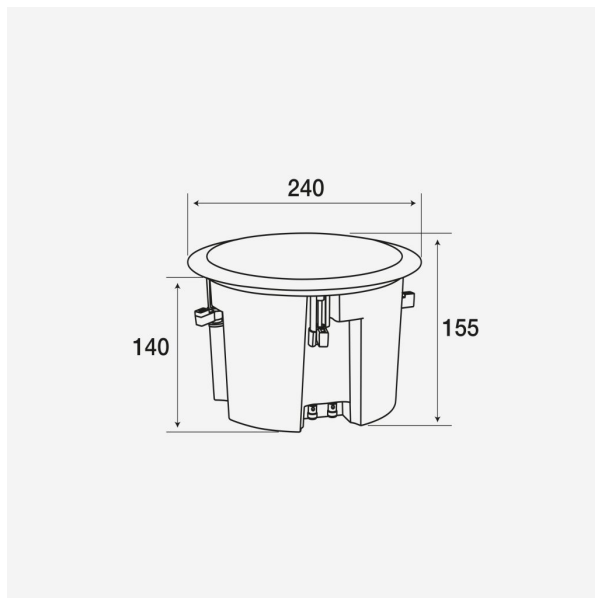
- 2-way speaker
- RMS power : 60 W under 8 Ohms
- Max power : 200 W under 8 Ohms
- Available powers :
- 1.25/2.5/5/10W at 70V or 100V
- 60W under 8 Ohms
- Impedances: 8 Ohms/70 V/100 V
- Tweeter: 25 mm (1 inch)
- Boomer: 165 mm (6.5 inches)
- Frequency response: 56 Hz - 20 kHz
- Sensitivity >90 dB
- Max SPL (@1m) : 109 dB
- Hanging : 4 legs to be screwed
- External dimensions (diameter and depth): 240 x 140 mm
- Drilling diameter: 208 mm
- Net Weight: 1,75 kg

Caractéristiques

Brand	Audiophony PA
Finish colour	White
Power	1,5 W, 2,5 W, 5 W, 10 W, 60 W
Protection class	IP20
Family	CHP
SPL max (@1m)	109 dB
Model size	6"

Galerie photos





www.hitmusic.eu/en/