



EXT106

IP65 coaxial 6.5 + 1" loudspeaker - 100 W RMS - 100 V/ 8 ohms - Compact, medium-range coaxial system - Weatherproof - Operates on 100 V or 8 ohms

Référence: H11615

329,00 € inc. VAT



- Operates at 100 V or 8 ohms
- Power: 100 W RMS at 8 ohms 25/50/100 W at 100 V
- Boomer: 6.5" 1.4" coil
- Tweeter: 1" 1.4" coil
- Dispersion: 100° x 100° (H x V)
- Sensitivity (1 W/1 m): 93 dB
- Frequency response: 100 - 18,000 Hz
- SPL: 113 dB continuous, 119 dB max / 8 ohms
- Connectors: internal connector with cable glands
- ABS body with aluminum grille and acoustic foam
- Degree of protection: IP65 (protection against dust and water jets)
- Dimensions: 258.5 x 256.5 x 273 mm
- Net weight: 7.2 kg

SPL (significant values)

- 1 m : 119 dB
- 5 m : 105 dB
- 7 m : 102 dB
- 10 m : 90 dB
- 15 m : 95 dB
- 20 m : 93 dB
- 30 m : 89 dB

Caractéristiques

| | |
|-------------------------|-------------------|
| Brand | Audiophony PA |
| Finish colour | Grey |
| Impedance | 8 Ω |
| Voltage | 100 V |
| Model size | 6,5 |
| Power | 25 W, 50 W, 100 W |
| Protection class | IP65 |
| SPL max (@1m) | 119 dB |
| Family | EXT |

Références compatibles



AMP1000

**1399,00 €
inc. VAT**

Réf: H11368



AMP660

**1149,00 €
inc. VAT**

Réf: H11367

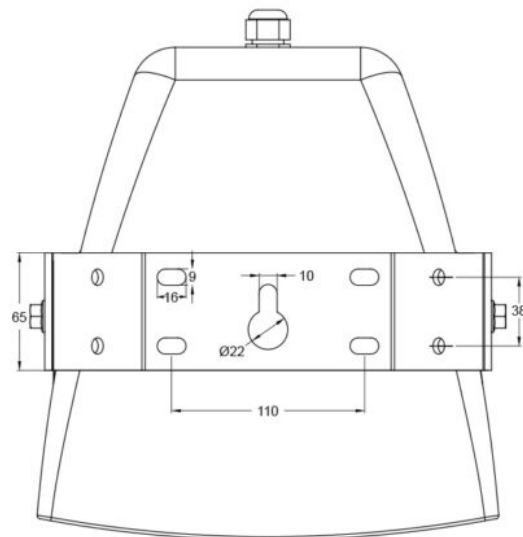
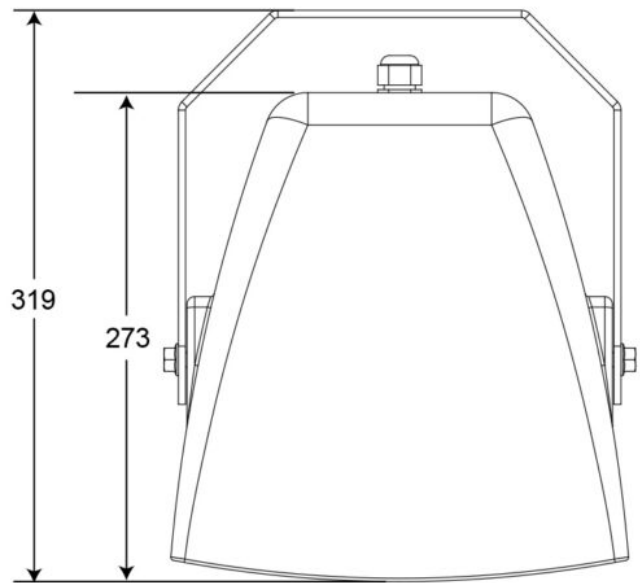
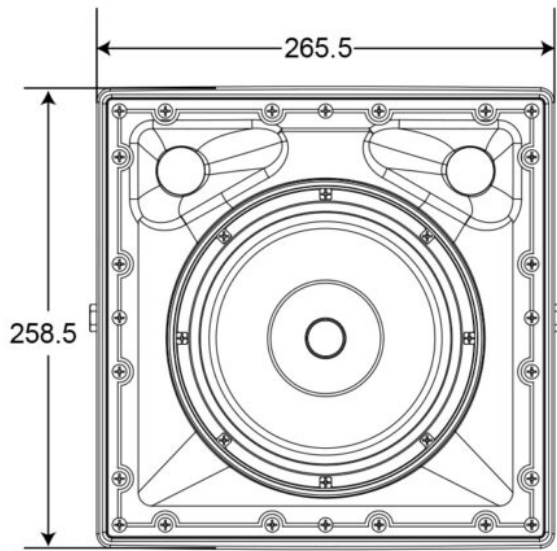


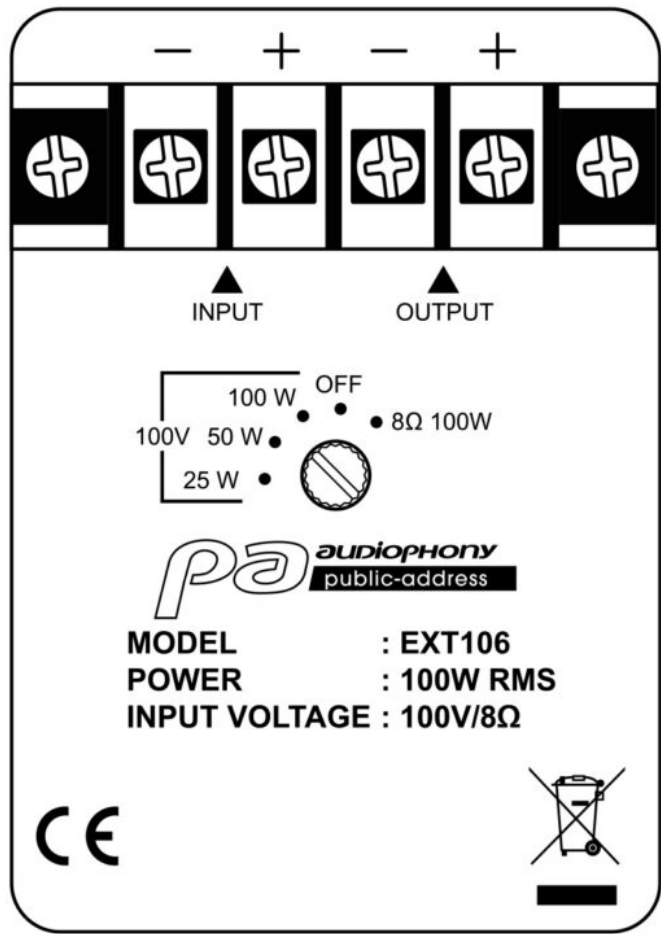
EXT415SW

**899,00 € inc.
VAT**

Réf: H11366

Galerie photos





100 W OFF
100V 50 W • • 8Ω 100W
25 W •

pa audiophony
public-address

MODEL : EXT106
POWER : 100W RMS
INPUT VOLTAGE : 100V/8Ω

CE



