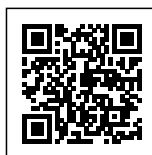


IPBOX-P4

14,50 € inc. VAT

IP68 waterproof box - Large - 4 ways. For 4 to 14 mm cable



SKU: H11591

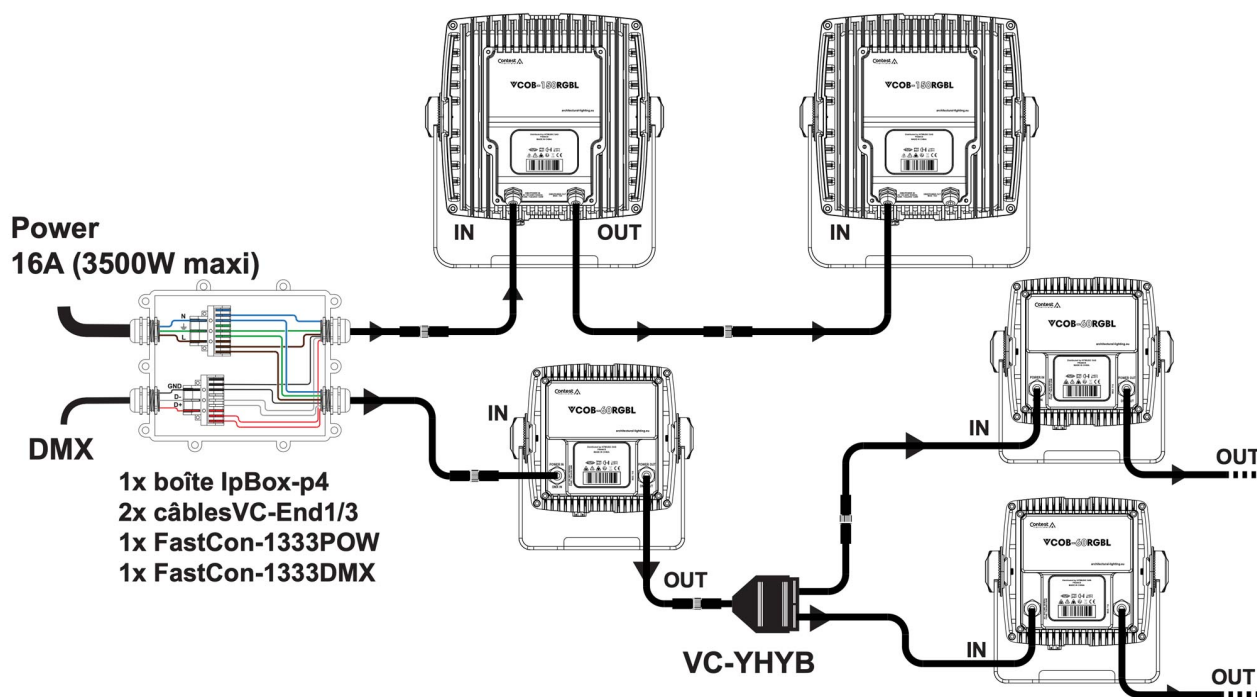
Categories: [Junction boxes for Versatile spotlights](#),
[Waterproof housings & connectors](#)

Tags: [Versatile](#)

EAN13 : 3662009026701

brand Contest Architectural Lighting

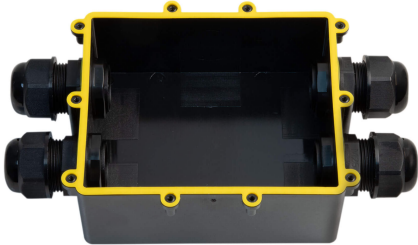
For outdoor connections that need to remain watertight, you can use a junction box and a hybrid Y adapter to distribute power and DMX, as shown in the figure below:



INFORMATIONS COMPLÉMENTAIRES

Brand	Hilec
Protection class	IP68

GALERIE D'IMAGES



x 4
M25
4 - 8 mm



x 4
M25
8 - 12 mm



x 4
M25
10 - 14 mm



x 1
End plug (bouchon d'extrémité)
4 - 8 mm

