



## LED DMX-CONTROL SCREW Mk2

Highly versatile LED DMX controller for all kinds of passive 12VDC/24VDC LED floodlights such as LED strip lights, prepared for wireless DMX (dongle)

Référence: B05399

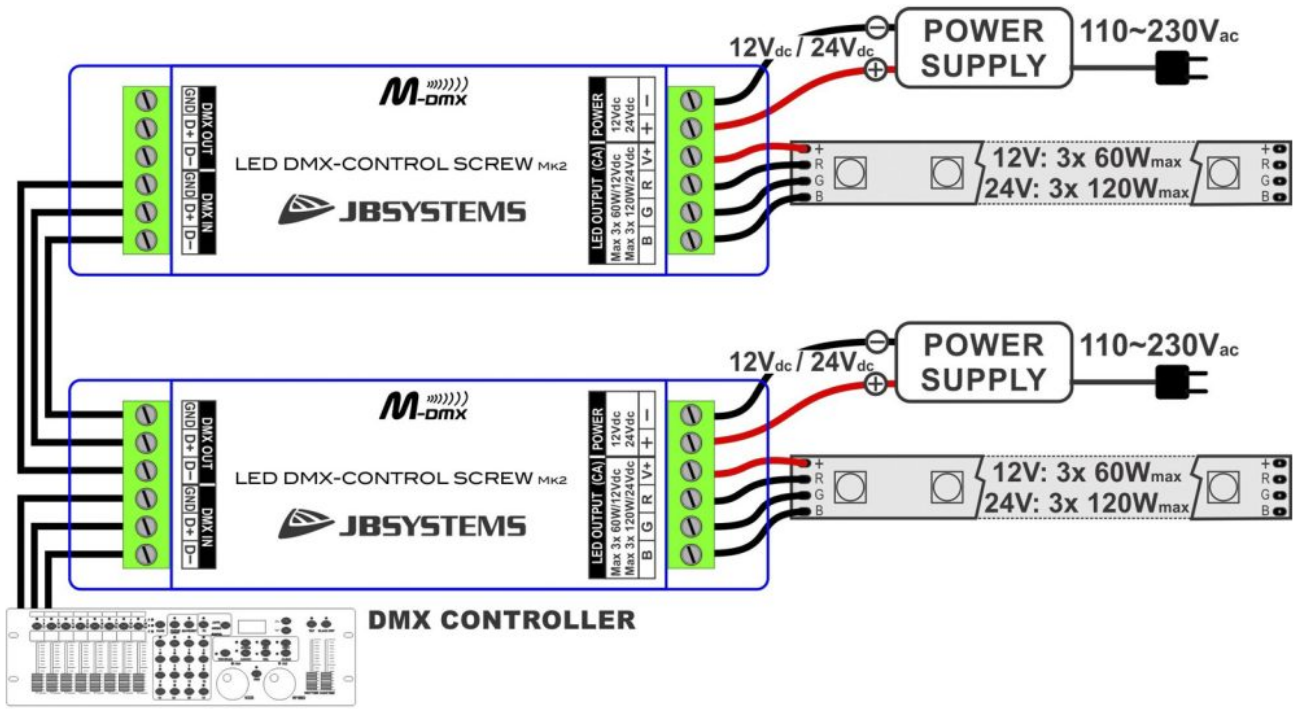
- Very versatile LED DMX controller for all kinds of passive 12VDC/24VDC LED floodlights such as LED strip lights.
- It can be used with RGB and single color LED strip lights.
- PWM technology for uniform, flicker-free intensity variation from 0 to 100%.
- Simple electrical installation: the unit is equipped with DMX input/output and LED light output via terminal block.
- **Prepared for wireless DMX:** just connect a DONGLE WTR-DMX! (optional, Briteq® code 4645)
- Max. output power 60 W/channel = 180 W at 12 VDC or 120 W/channel = 360 W at 24 VDC
- The output power of LED lights can always be increased by using our LED REPEATER amplifiers.
- All functions are controllable:
  - Directly on the controller (DIP switches)
  - Using a LEDCON-02 Mk2 controller (also in sound mode)
  - Using any standard DMX controller.
  - An optional wireless DMX dongle (WTR-DMX DONGLE)
- Different modes of autonomous operation:
  - Fixed color mode: instant access to 7 pre-programmed colors.
  - Automatic chase mode: 7 colored chases at 7 different speeds.
  - Progressive chase mode: 7 progressive chases at 7 different speeds.
- 4 DMX channels are required: channel 1 = red, channel 2 = green, channel 3 = blue, channel 4 = dimmer/strobe.
- The box is designed for single wall installation.
- It is suitable for home LED installations, stores, etc.
- No cooling fan: completely silent!

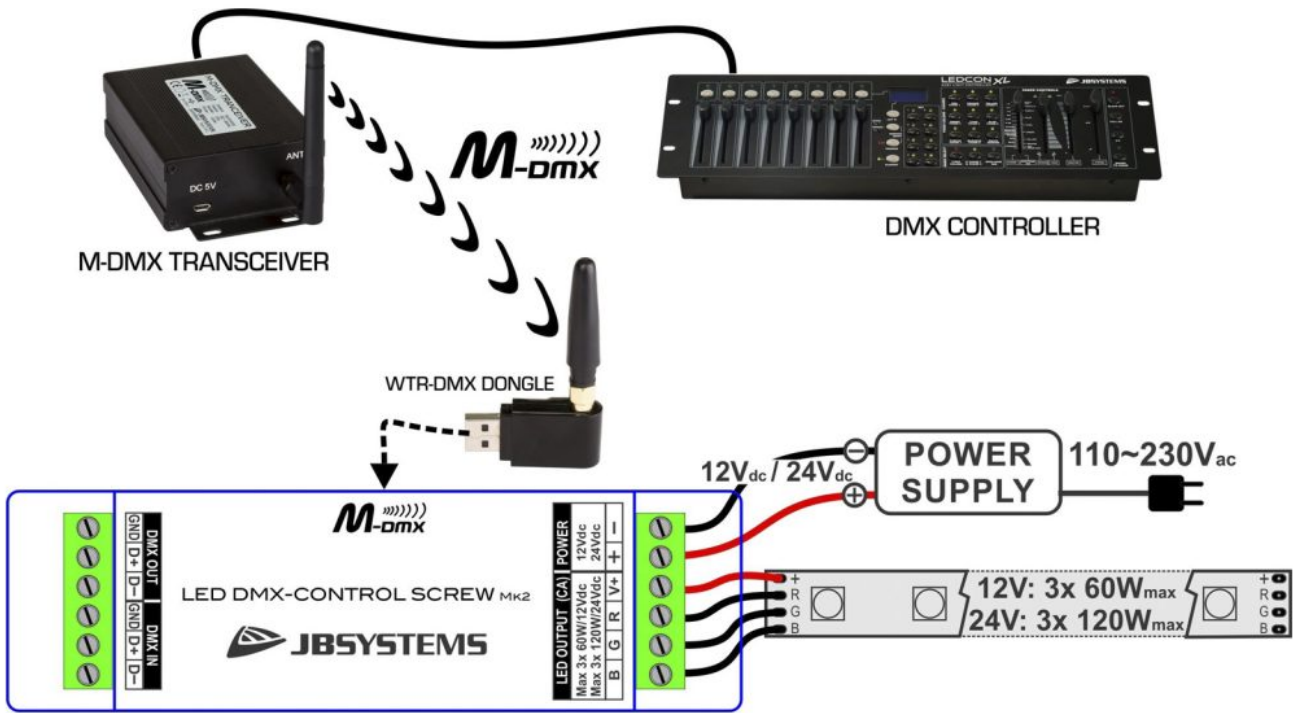
## Caractéristiques

<b>Brand</b>	JB Systems
--------------	------------

## Galerie photos







# INDEPENDENT CONTROL OF 3pcs ONE-COLOR STRIPS

