



LED REPEATER

This LED-REPEATER (also called LED AMPLIFIER or LED BOOSTER) is an essential component in many LED strip light installations!

Référence: B05400

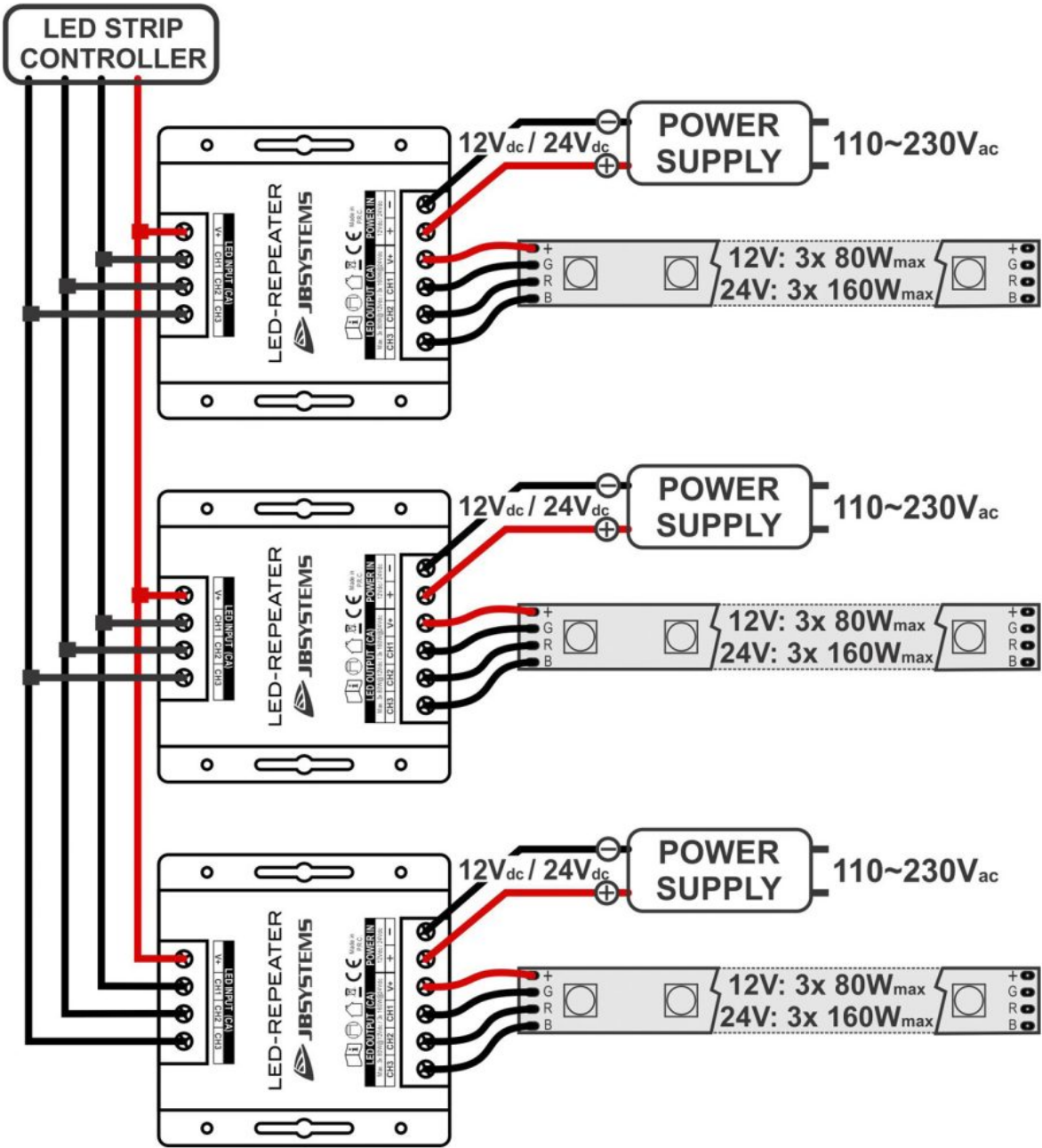


- This LED-REPEATER (also called LED AMPLIFIER or LED BOOSTER) is an essential component in many LED strip light installations!
- LED strips can't handle high current: by inserting this indispensable component into the LED strip line, the current will be reduced and the length of the LED strip can be greatly increased!
- It can be used with RGB LED strips and single color LED strips.
- Simple electrical installation.
- PWM technology for uniform, flicker-free intensity variation from 0% to 100%.
- Max. output power :
 - 80 W/channel (total = 240 W) at 12 V
 - 160 W/channel (total = 480 W) at 24 V
- It is suitable for home LED installations, stores, etc.

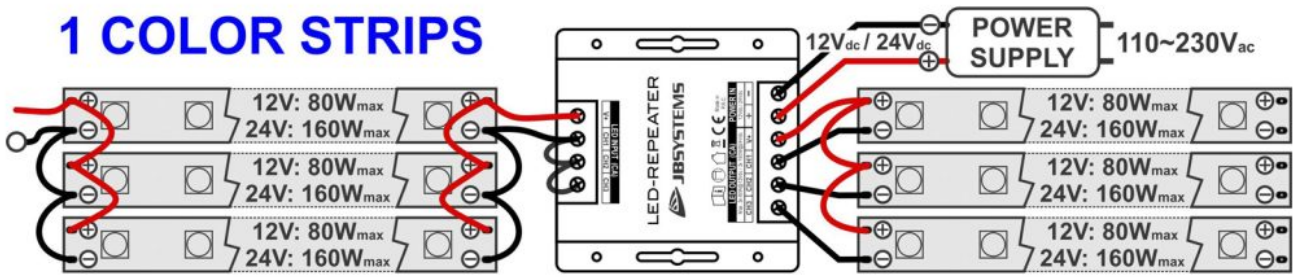
Caractéristiques

Brand	JB Systems
Controllable colours	1 colour, RGB

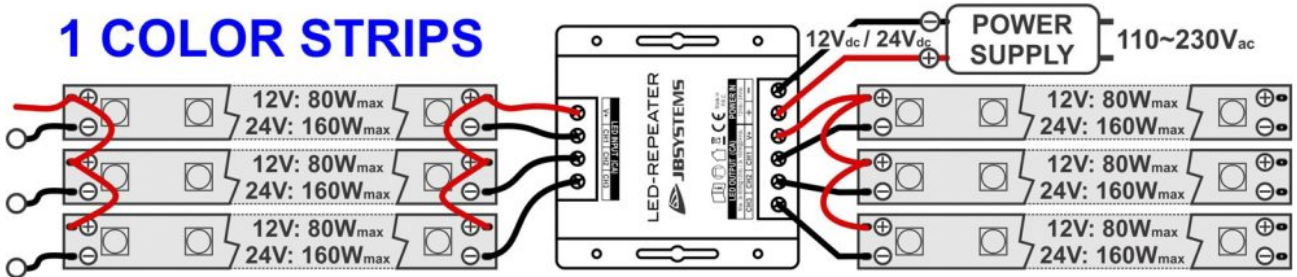
Galerie photos



1 COLOR STRIPS



1 COLOR STRIPS



RGB COLOR STRIPS

