

MOVING HEAD CASE 10

790,00 € inc. VAT

Stackable flight case for transporting 2x BTI-BLIZZARD BSW2
or 2x BTI-BLIZZARD PROFILE



SKU: B03313

Categories: [Lighting flightcases](#)

EAN13 : 5420025633130

brand JVcase

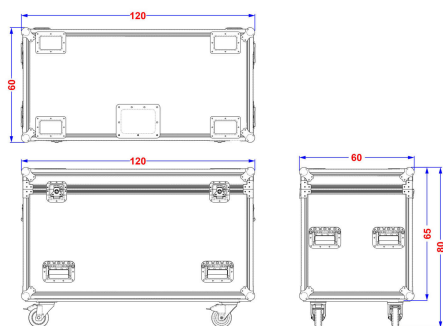
- Stackable flight case for transporting :
 - BTI-BLIZZARD BSW2
 - BTI-BLIZZARD PROFILE
- Separate compartment for cables and omega hooks/supports.
- High-quality "PENN Elcom" materials have been used to guarantee a solid and reliable product:
 - Robust 9 mm plywood with durable black HEXA finish
 - Reinforced corners
 - 2 recessed folding handles on all sides
 - 4 100 mm soft rubber swivel castors, 2 with brakes
 - Equipped with sturdy butterfly locks
- Specially-adapted protective foam interior for optimum impact protection.
- Standard truck dimensions: 120 x 60 x 65 cm (height including wheels = 80 cm).
- Weight: 53 kg

INFORMATIONS COMPLÉMENTAIRES

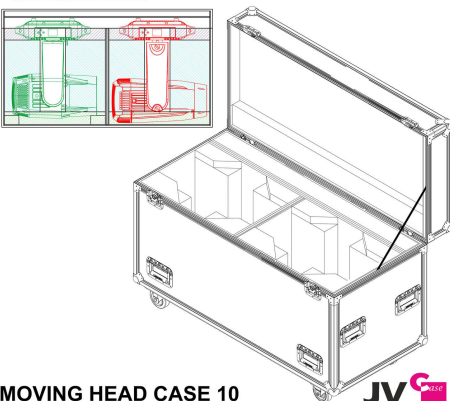
Brand

JVcase

GALERIE D'IMAGES



Transports:
2x BTI-BLIZZARD BSW2
or
2x BTI-BLIZZARD PROFILE



MOVING HEAD CASE 10
DIM: 120 x 60 x 80 cm
ORDER CODE: B03313



MOVING HEAD CASE 10
DIM: 120 x 60 x 80 cm
ORDER CODE: B03313



