



MOVING HEAD CASE 10

Stackable flight case for transporting 2x BTI-BLIZZARD BSW2 or 2x BTI-BLIZZARD PROFILE

Référence: B03313

790,00 € inc. VAT



- Stackable flight case for transporting :
 - BTI-BLIZZARD BSW2
 - BTI-BLIZZARD PROFILE
- Separate compartment for cables and omega hooks/supports.
- High-quality "PENN Elcom" materials have been used to guarantee a solid and reliable product:
 - Robust 9 mm plywood with durable black HEXA finish
 - Reinforced corners
 - 2 recessed folding handles on all sides
 - 4 100 mm soft rubber swivel castors, 2 with brakes
 - Equipped with sturdy butterfly locks
- Specially-adapted protective foam interior for optimum impact protection.
- Standard truck dimensions: 120 x 60 x 65 cm (height including wheels = 80 cm).
- Weight: 53 kg

Caractéristiques

Brand	JVcase
--------------	--------

Références compatibles



**BTI-BLIZZARD
BSW2**

**5790,00 €
inc. VAT**

Réf: B05568



**BTI-BLIZZARD
PROFILE**

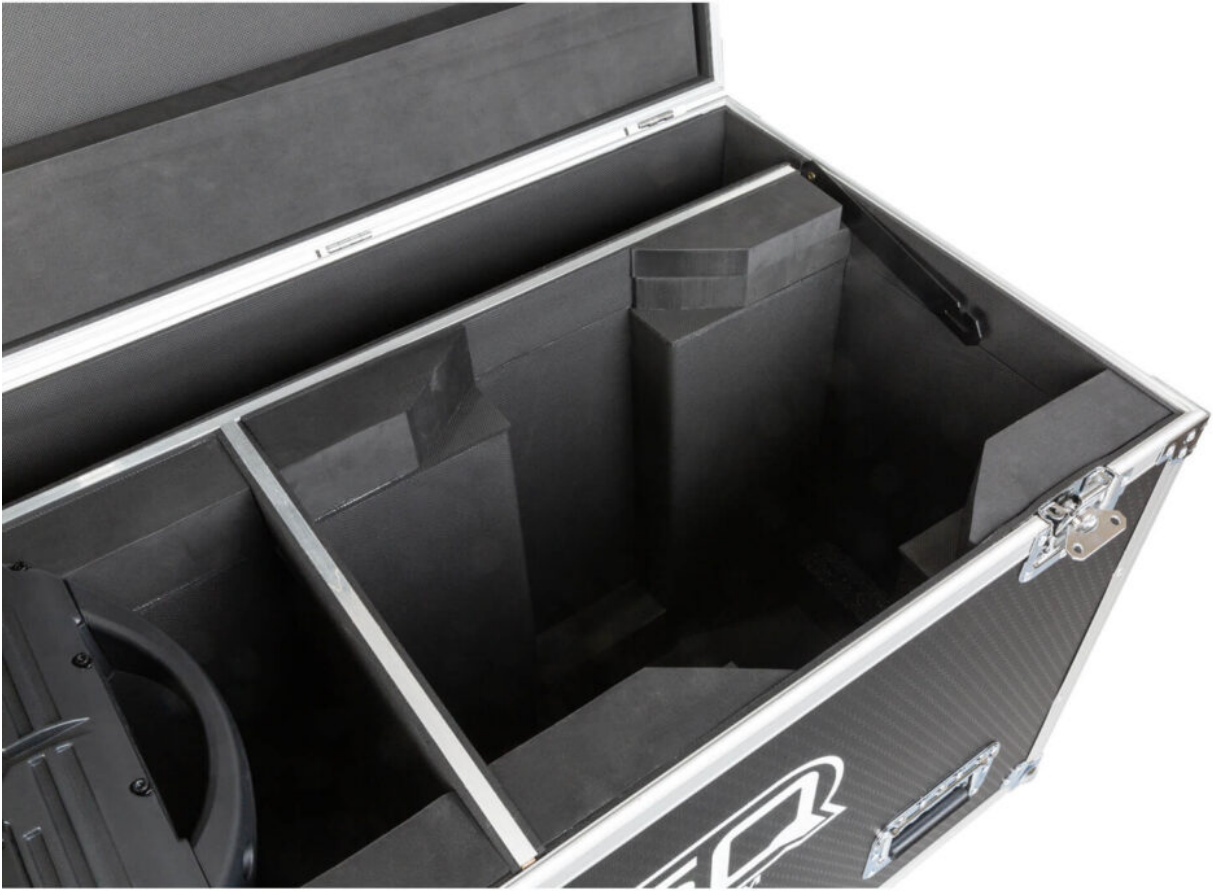
**7890,00 €
inc. VAT**

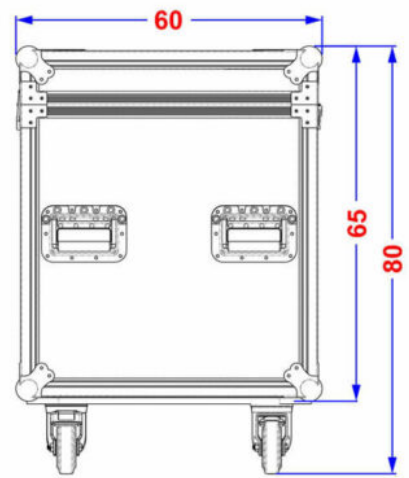
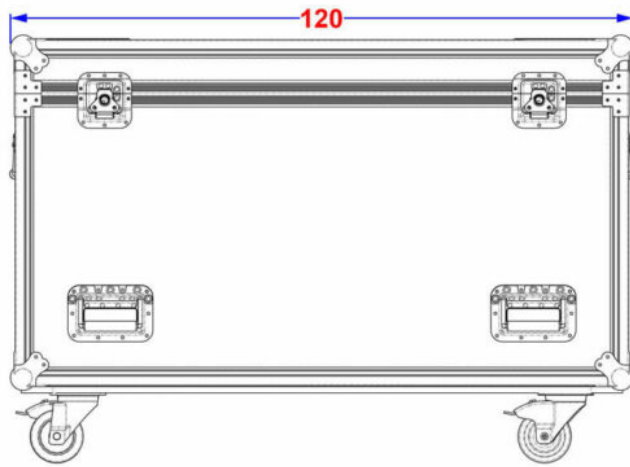
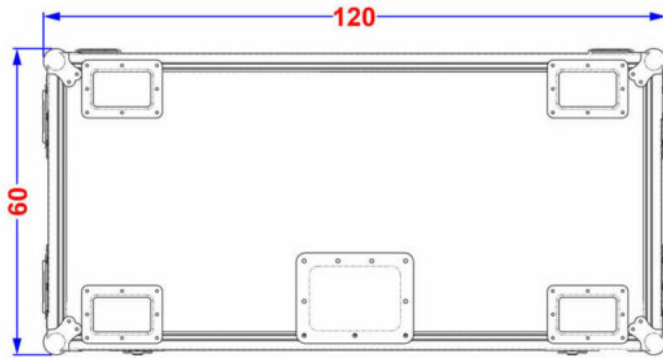
Réf: B05571

Galerie photos









MOVING HEAD CASE 10

DIM: 120 x 60 x 80 cm

ORDER CODE: B03313

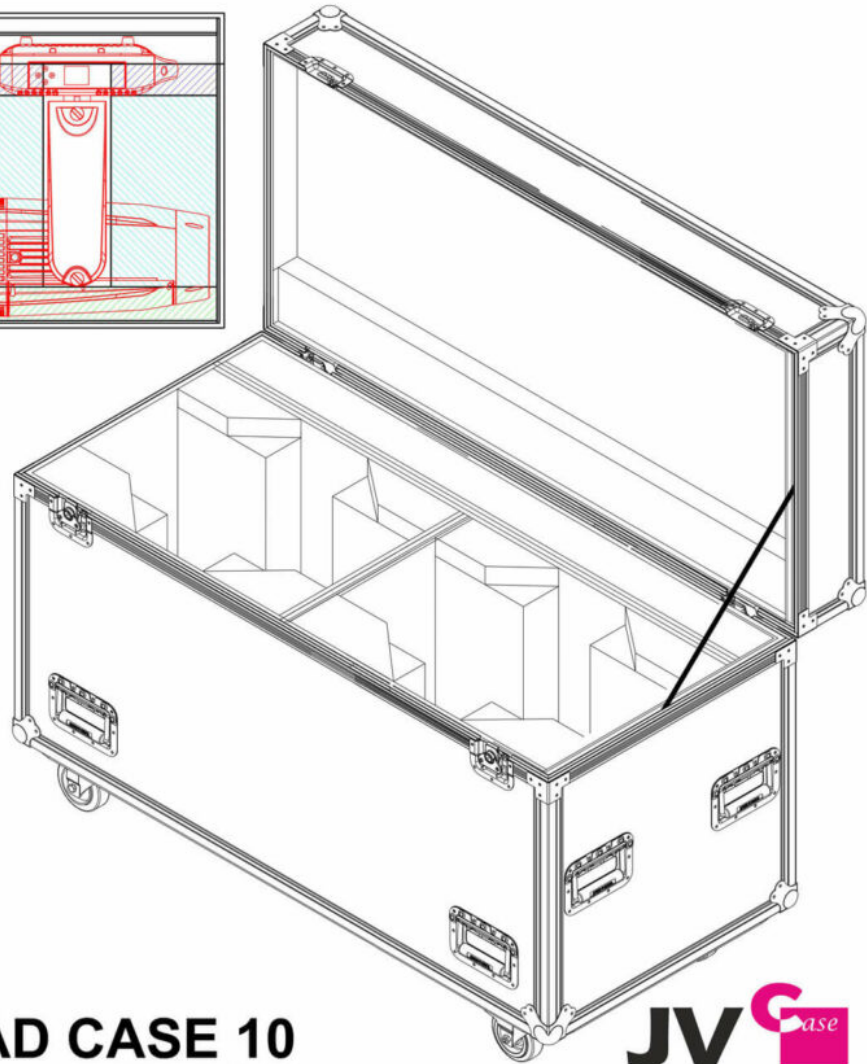
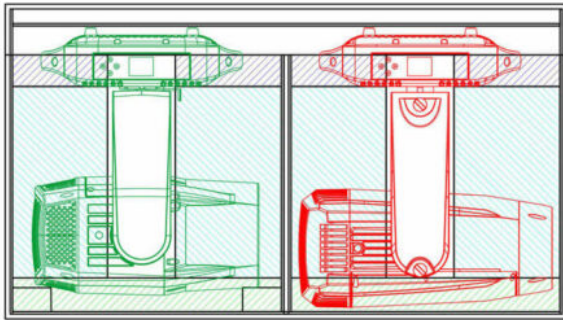
JV  **case**
WWW.JVCASE.COM

Transports:

2x BTI-BLIZZARD BSW2

or

2x BTI-BLIZZARD PROFILE



MOVING HEAD CASE 10

DIM: 120 x 60 x 80 cm

ORDER CODE: B03313

JV 
WWW.JVCASE.COM