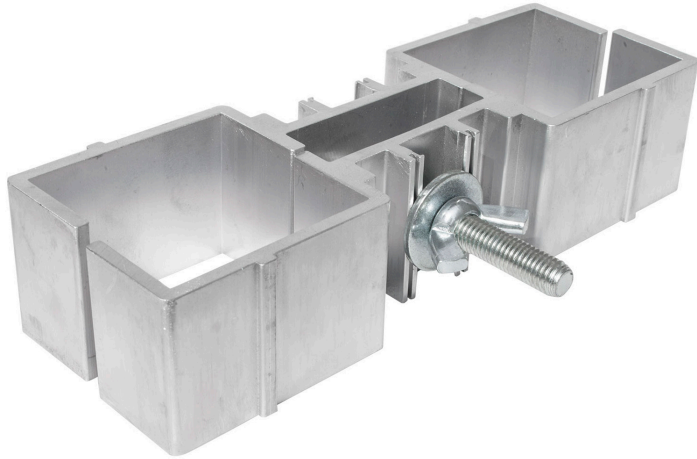
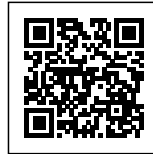


PLTS-FC2

17,00 € inc. VAT

Connecting clamp for two square feet



SKU: H10381

Categories: [Accessories for STAGE platforms](#)

EAN13 : 3662009014579

brand ConteStage

- Material: Aluminium
- Thickness : 5 mm
- For section: 60 x 60 mm
- Weight : 0,48 kg

INFORMATIONS COMPLÉMENTAIRES

Brand

ConteStage

GALERIE D'IMAGES

