

PT29-200 W

Référence: H11465

279,00 € inc. VAT



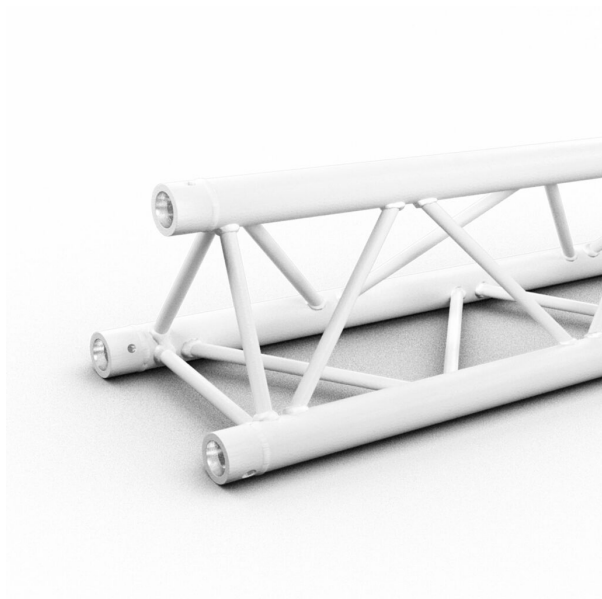
Triangular aluminium beam **Length: 200 cm** **Supplied with 1x junction kit**

- 50 mm tubes
 - 16 mm threads
 - Triangular section with 240 mm spacing between each tube (290 mm outside)
 - Assembled with conical pin sleeve and key
 - Average weight per metre: 4.5 kg
 - Section: 290 mm
 - Length: 200 cm
 - Use: point down
 - Weight: 7.4 kg
- Manufactured to ISO DIN 4113 and TÜV standards.
 - Aluminium alloy structure (EN AW 6082 T6).
 - The use of conical joints and wedges allows a very fast implementation of all types of configurations combining a great robustness with an irreproachable stability. Disassembly is also quick and easy.

Caractéristiques

Brand	ConteStage
Length	200 cm
Finish colour	White
Family	Triangular 290
Truss	Straight

Galerie photos



www.hitmusic.eu/en/