



## RACK CASE 10/18U

Convenient and versatile governing rack case - 19

Référence: B03240

**549,00 € inc. VAT**



- Convenient and versatile governing rack-case.
- The horizontal 19" rack space located in the upper part allows for the installation of mixing consoles, controllers, etc.
- Notebook slide-in stand
- Keep all your wired equipment in the trunk so you can assemble / disassemble your installation in just a few seconds!
- Equipped with 4 high quality swivel wheels, two of which have brakes

### **The details that make a difference:**

- **Front cover:**

- Can be instantly transformed into a table
- The table can be installed on the right or left side of the flight case.
- A passage for cables is provided on both sides

- **Laptop stand:**

- Thanks to its design, the laptop can even remain in the flight case during transport
- Velcro straps attached to the stand + foam integrated into the top cover keep your computer securely in place during transport
- The rails of the sliding support system are installed low enough that they do not interfere with your 19" mixer or controller installed in the horizontal rack.
- If you don't need the holder at all, simply remove it

- **Back door:**

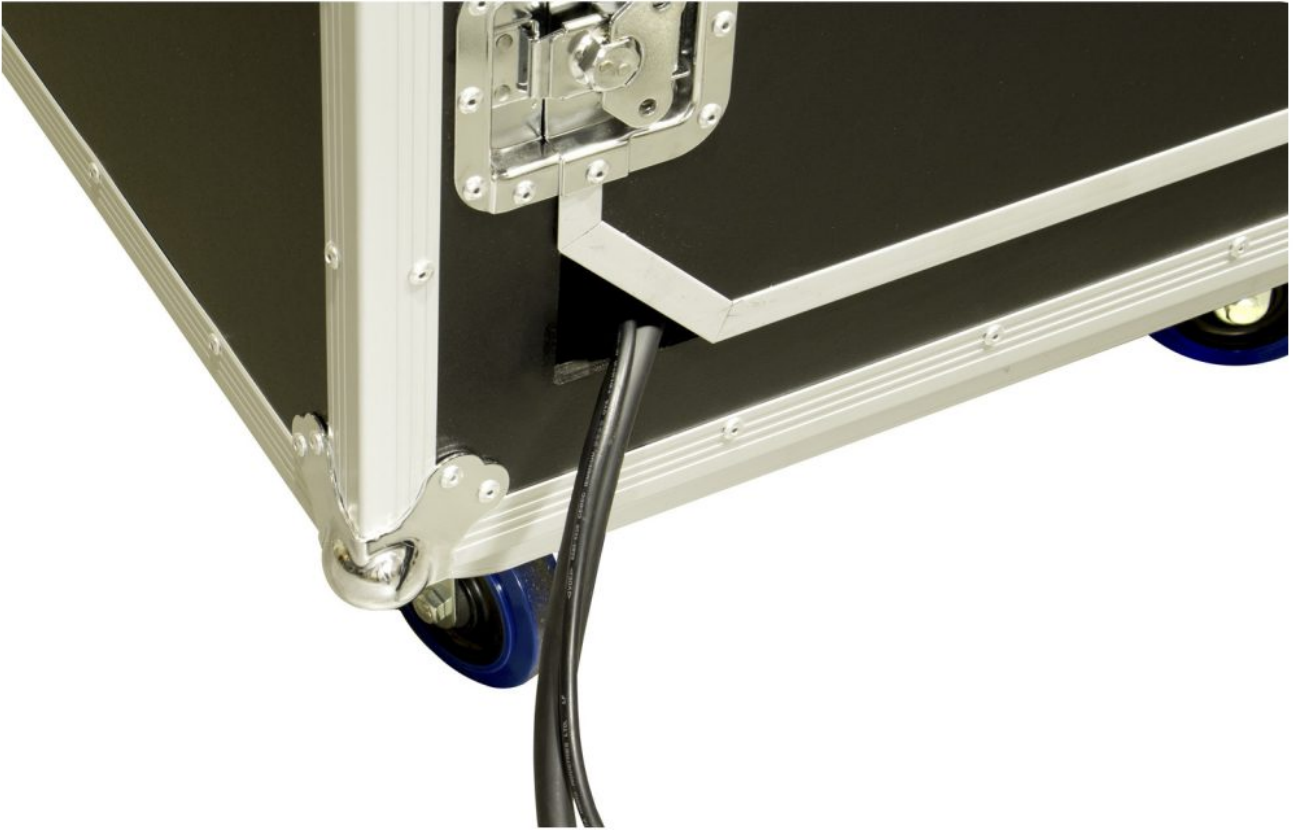
- Easier and faster to open and close than a traditional lid
- A cutout is provided in the lower part so that you can close the door, while letting the necessary cables pass through.

## **Caractéristiques**

<b>Brand</b>	JVcase
--------------	--------

## Galerie photos

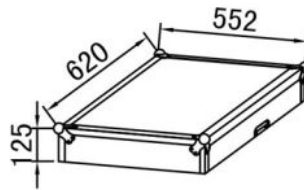




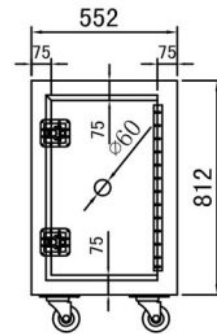
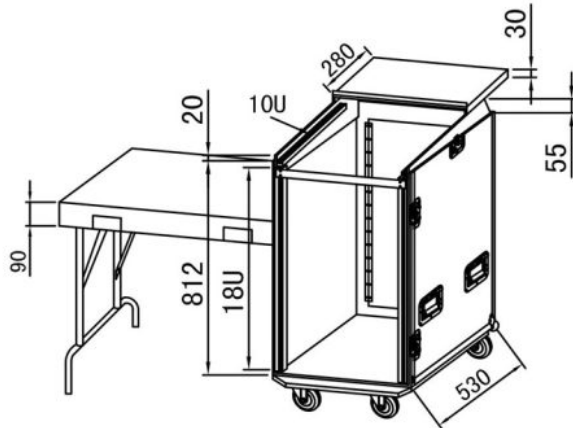




WWW.JVCASE.COM



usable depth: 530mm



# RACK CASE 10/18U