



SA-15

15" active speaker with DSP and 650W rms "Pascal^{Audio}®" amplifier technology

Référence: B08606

1190,00 € inc. VAT



- Professional active loudspeaker for a wide range of different applications:
 - **RENTAL:** rugged speakers with versatile audio inputs
 - **STAGE MONITOR:** transparent sound with little feedback
 - **CLUBS, BARS, DJ PRO, ...** incredible hifi sound, even at high sound pressure levels
- **Pascal Audio® amplification technology** for maximum reliability and impact:
 - HF: 150 W rms (1" compression motor with 90°H x 40°V, manufactured by "Redcatt® " USA)
 - LF: 500 W rms (15" woofer, manufactured by "Lavoce® " Italy)
- **DSP controlled** amplifier with different presets:
 - Parametric equalizers
 - Limiter / compressors
 - 2-way active filter with **FIR filtering**
 - Factory presets for different applications
 - Sophisticated amplifier temperature management
 - Software and presets can be updated
 - Fully parametric 4-band equalizer for perfect sound
- **Two mixable input channels:**
 - CH1: LINE level, balanced (XLR / 6.3 mm jack) and unbalanced (RCA / cinch)
 - CH2 : different levels :
 - MIC balanced (XLR / 6.3 mm jack)
 - Balanced MIC with high-pass filter
 - Balanced LINE input (XLR / 6.3mm jack)
 - 2 audio outputs :
 - LINK OUTPUT for CH1
 - MIXED OUTPUT: to connect other speakers
- SPL max. : 131dB @ 1m
- PowerCON input/output with separate switch.
- 6 M6 anchor points for horizontal / vertical suspension.
- Premium Baltic birch multiplex with a scratch-resistant black polyurea textured finish.
- The smart design of the speaker allows it to be used as a monitor without separate stands.
- Sturdy carrying handles with integrated 35 mm stand adapter.
- Very resistant rubber feet.

Caractéristiques

Brand	Synq
Model size	15"
Power	650 W rms
SPL max (@1m)	131 dB

Function	Adjustable crossover, DSP, Limiter, Mounting 35 mm
Family	SA
Protection class	IP20

Références compatibles



SA-12

**1090,00 €
inc. VAT**

Réf: B08605



SA-10

**959,00 € inc.
VAT**

Réf: B08604



**TOURING BAG -
SA-15**

**49,00 € inc.
VAT**

Réf: B08635



SA-B15

**1990,00 €
inc. VAT**

Réf: B08607

Galerie photos





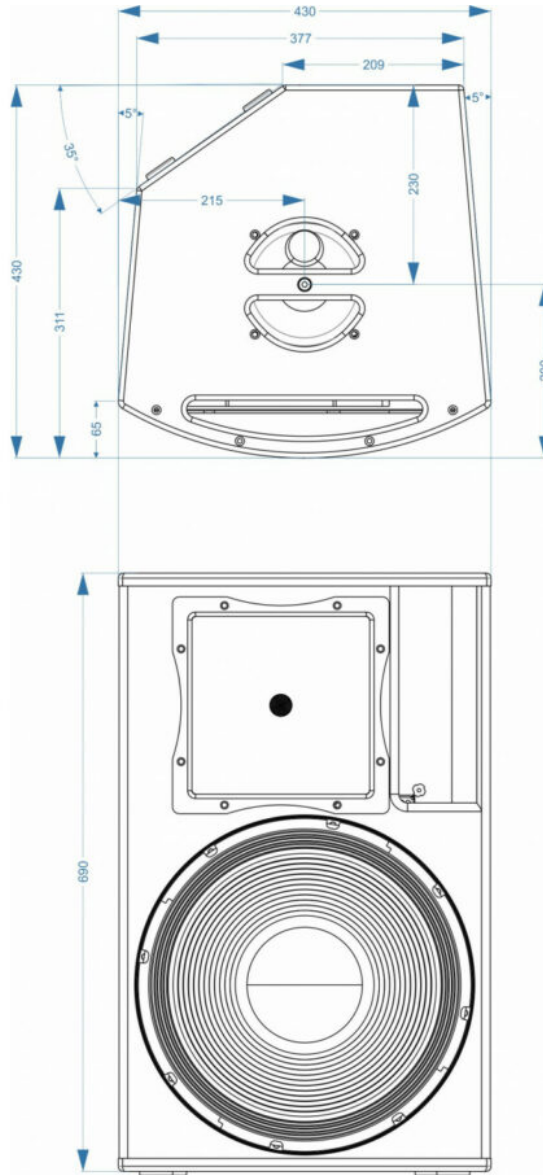












SA-15