



## **BORNEO660W**

**Référence:** H9911

**269,00 € inc. VAT**



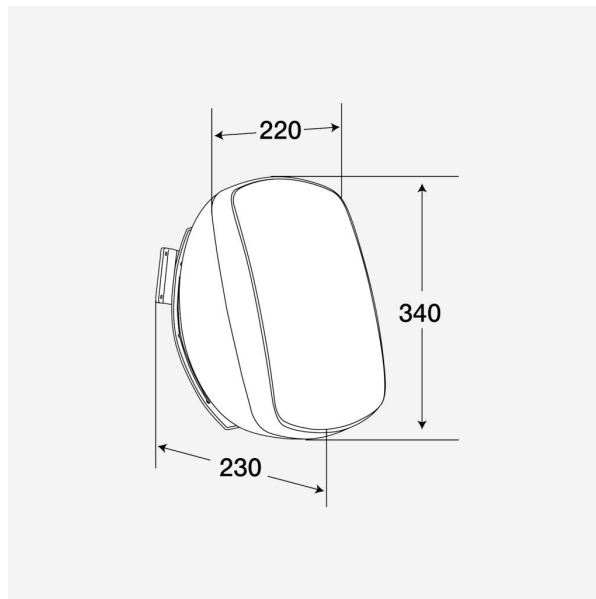
Tropicalized speaker 60 W 8ohms / 70-100 V - Black - Indoor and outdoor use - Simple and elegant design, available in white or black finish - Discreet hanging system with vertical and horizontal orientation - Use in low impedance or 100 V line

- 2-way speaker
- RMS output power: 60 W
- Maximum output power: 200 W
- Output power: 60 W/20 W/15 W/10 W/5 W
- 8 ohms/100 V
- Tweeter: 25 mm (1")
- Boomer: 165 mm (6.5")
- Frequency response: 45 Hz - 20 kHz
- Sensitivity >89 dB
- Max SPL (@1m) : 107 dB
- External dimensions (diameter and depth): 340 x 220 x 200 mm
- Net weight: 3,8 kg

### Caractéristiques

<b>Brand</b>	Audiophony PA
<b>Finish colour</b>	White
<b>Impedance</b>	8 Ω
<b>Voltage</b>	100 V
<b>Power</b>	5 W, 10 W, 15 W, 20 W, 60 W
<b>Protection class</b>	IP55
<b>SPL max (@1m)</b>	107 dB
<b>Family</b>	BORNEO
<b>Model size</b>	6"

## Galerie photos



[www.hitmusic.eu/en/](http://www.hitmusic.eu/en/)