

VBAR-50DW

Référence: H11382

549,00 € inc. VAT



Architectural floodlight IP66 12 LEDs 2700-5600 K 50 W 15 × 30° - LEDs 2700-5600 K 50 W 15 × 30° -
LEDs 2700-5600 K 50 W

LED

- 12 x LEDs 4 W Dynamic White 2700-5600 K
- Asymmetrical lenses with 15 x 30° aperture

Brightness

- 2355 lm - 325 lux at 5 m

CRI

- 95

Consumption

- 50 W

Dimensions

- 484 x 117 x 53 mm

Weight

- 3.2 kg

Connections

- DMX/Power connections via hybrid IN and OUT cables with IP 67 plugs

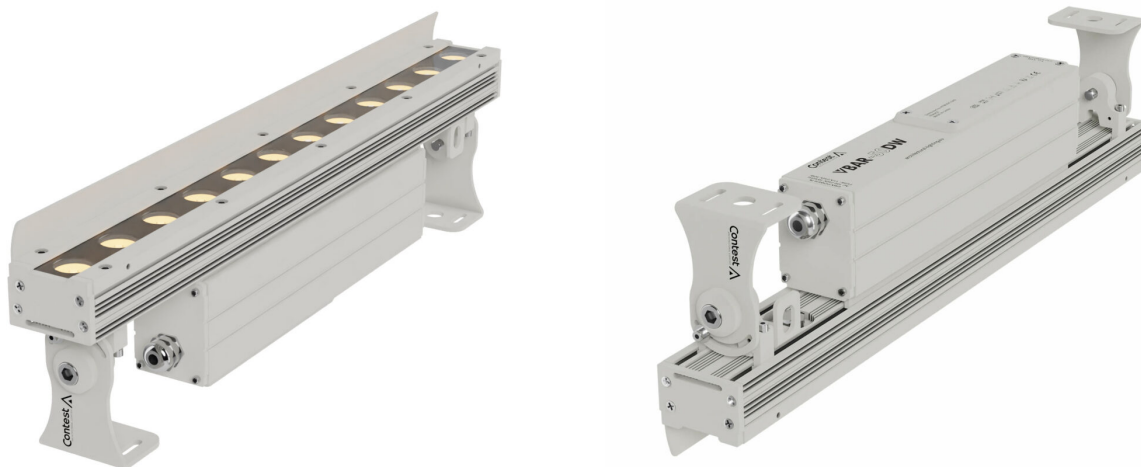
Features

- External VRDM-Control box for RDM parameterization
- Compatible with RDM consoles on certain parameters
- DMX control protocol on 2 to 4 channels depending on the selected mode
- Power supply: 110-240 V/50-60 Hz
- Selectable refresh rate from 900 Hz to 3600 Hz
- Cooling: convection
- Finishes: cast aluminium, epoxy-painted grey-white RAL 9002
- IP 66 protection rating: resists dust and water splashes from all directions
- Shock resistance IK 07: protected against impact

Caractéristiques

Brand	Contest Architectural Lighting
Controllable colours	Cold white, Natural white, Warm white
Power	50 W
Protocole	DMX, RDM
Type de lampe	LED

Galerie photos



www.hitmusic.eu/en/