



WB-L20

Wall bracket for small speakers 20cm, 40kg

Référence: B00760

29,90 € inc. VAT



- Very solid wall mount for small speakers
- Short version: distance to the wall = 20cm
- The stand can be rotated about 180°, allowing the speaker to be placed in several positions.
- Adjustable angle of inclination: from 0° to 20
- Only suitable for speakers with a 35 mm stand adapter.
- Load: up to 40kg
- An expansion screw with hook is supplied with the adapter. Use it to attach a safety chain (optional)
- Suitable for the following speakers:
 - *Synq CLS-8*
 - *JB Systems PSX12*
 - *JB Systems PSX15*
 - *JB Systems PL12*
 - ...
 -

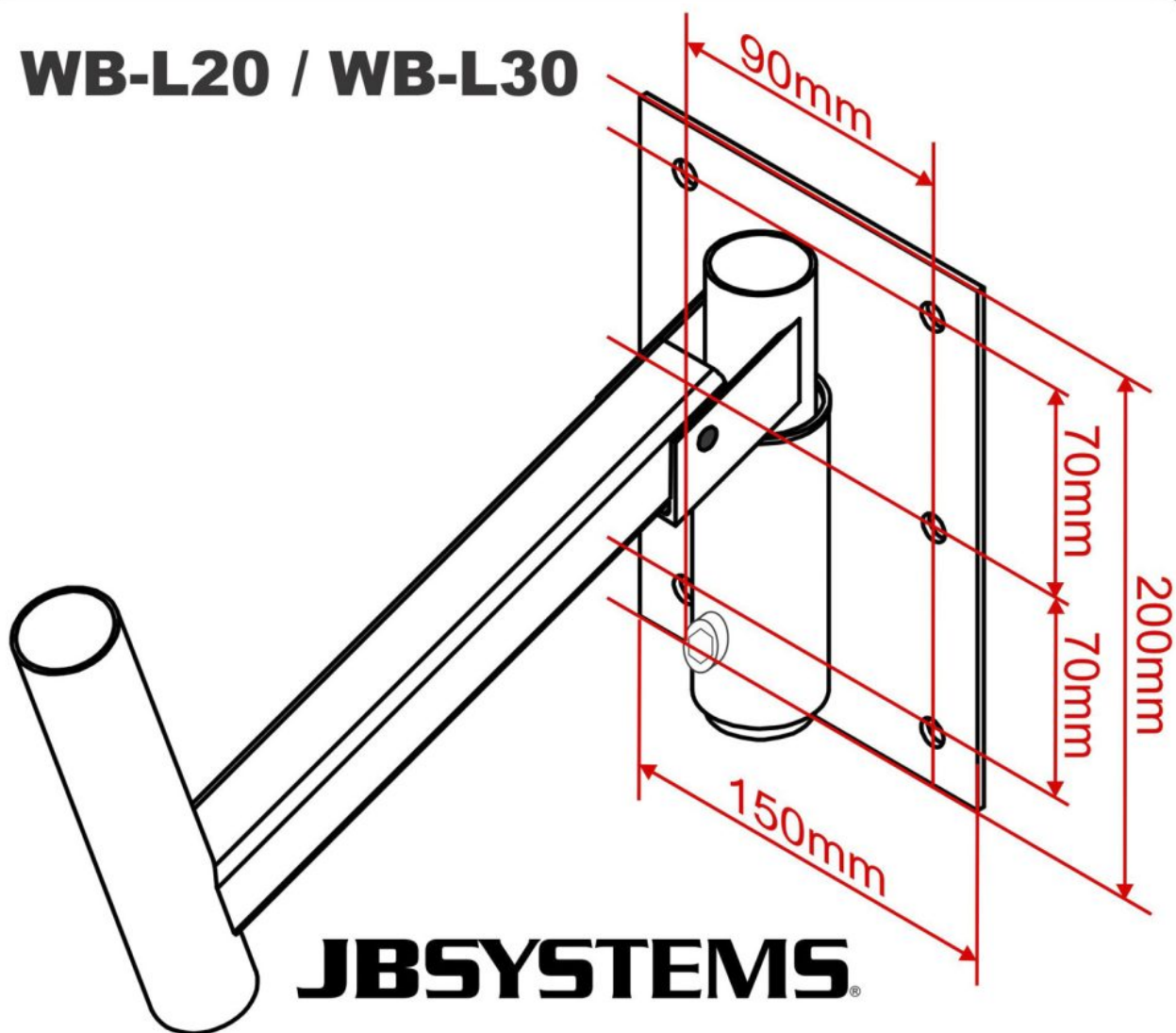
Caractéristiques

Brand	Hilec
Finish colour	Black
Type de support	Wall
SWL	20 kg

Galerie photos



WB-L20 / WB-L30





BEGLEC