



BT-RETRO coupling adapter

Référence: B05519

14,90 € TTC



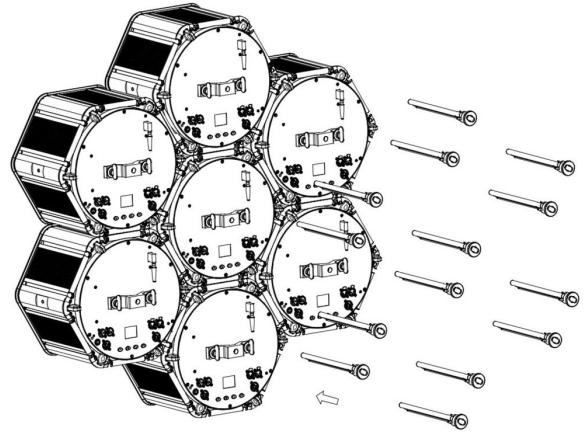
Connect several BT-RETRO units together with this BT-RETRO coupling adapter.

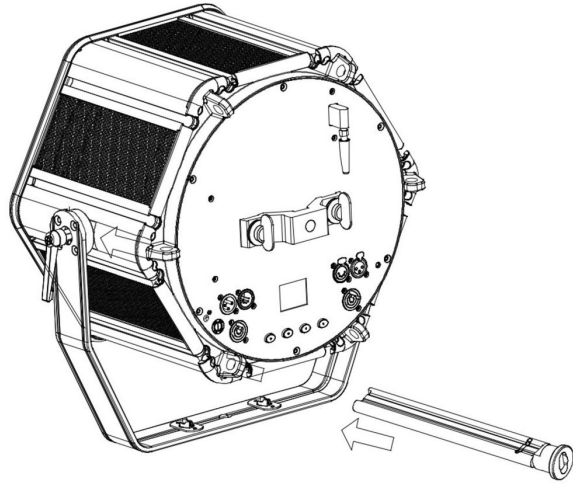
- Connect several BT-RETRO units together with this BT-RETRO coupling adapter
- 2 coupling adaptors are required to link 2 units together

Caractéristiques

| | |
|---------------|--------|
| Marque | Briteq |
|---------------|--------|

Galerie photos





www.hitmusic.eu