



BT-TRUSS Stirrup BLK

Référence: B03489



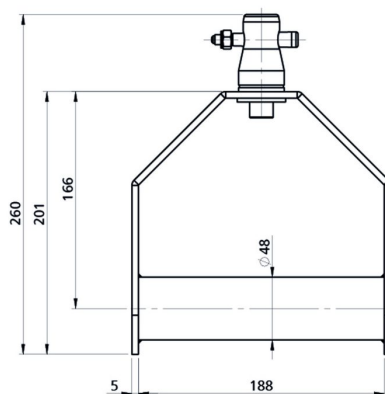
BT-TRUSS Stirrup is designed to easily fix one projector to truss.

- BT-TRUSS Stirrup is designed to easily fix one projector to truss.
- While adding truss tubes (BT-TRUSS TUBE) with different lengths you can mount your equipment at different heights.
- BT-TRUSS Stirrup has standard 48mm tube diameter to fix the projector
- BT-TRUSS Stirrup is fitted with a male conical connector on top.
- Powder painted satin black finish to reduce the visibility of the BT-TRUSS Stirrup in your setup.
- Weight: 2,4 kg

Caractéristiques

Marque	Briteq
Structure	Support

Galerie photos



 **hitmusic**
Fabrique sensorielle

www.hitmusic.eu