



## **BT-TRUSS T-Drop arm Thru BLK 450x500**

Référence: B03484



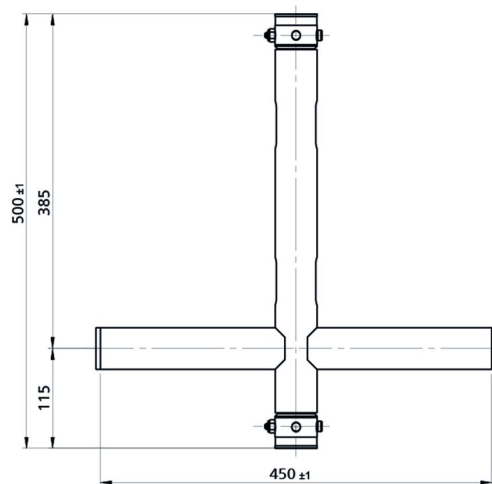
With this aluminium 'T' DROP ARM you can easily fix all kinds of projectors and moving lights to truss.

- With this aluminium 'T' DROP ARM you can easily fix all kinds of projectors and moving lights to truss.
- With the thru connector you can combine several Tees to create a ladder frame to fix a large qty of projectors.
- While adding truss tubes (BT-TRUSS TUBE) with different lengths you can mount your equipment at different height.
- Each 'T' DROP ARM has standard 48mm tube diameter and is fitted with two female conical connectors. (male couplers not included)
- Powder painted satin black finish to reduce the visibility of the 'T' DROP ARM in your setup.
- Slots to easily fix safety cables are provided.
- Size: 0,45m wide x 0,50m height.
- SWL: 100 kg
- Weight: 1,28 kg

### Caractéristiques

<b>Marque</b>	Briteq
<b>Structure</b>	Support

## Galerie photos



[www.hitmusic.eu](http://www.hitmusic.eu)